

THERMAL PRINTER

EPSON TM-T88III



EPSON TM-T88III high-speed thermal printer

- Fast and smooth
- Easy paper handling
- Easy maintenance and high reliability
- Versatile printing
- Speedy transactions

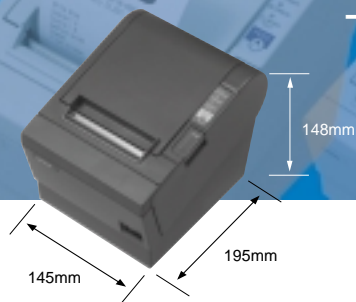
Visit our website for more information
www.epson.com.au or www.epson.co.nz

EPSON[®]
RETAIL SOLUTIONS

EPSON RETAIL SOLUTIONS

THERMAL PRINTER

EPSON TM-T88III



EPSON TM-T88III

FAST AND SMOOTH

Issue receipts fast and smooth thanks to a printing speed of 150mm/second.(Max.)

EASY PAPER HANDLING

Paper loading is easy and trouble free. When you run out of paper, simply drop in a new roll. An autocutter is also included for clean receipt cutting.



EASY MAINTENANCE AND HIGH RELIABILITY

With an MCBF of 52 million lines, the TM-T88III boasts outstanding durability. This, combined with an easy-to-clean head and almost trouble-free maintenance, helps reduce costs.

VERSATILE PRINTING

Page mode provides extra layout freedom. Smooth and scalable characters (enlargeable up to 64 times), landscaping and black-white reversal give coupons extra impact and improve the image of your establishment. Bar codes can be printed both vertically (ladder bar code) and horizontally (fence bar code).

SPEEDY TRANSACTIONS

To speed up transactions, up to 256 KB of flash memory for digital logos is available on the printer side.

Specifications

PRINT METHOD	Thermal Line Printing
PRINT FONT	
FONT	9x17 / 12x24
COLUMN CAPACITY	56 / 42 columns
CHARACTER SIZE (mm)	0.99 (W) x 2.4 (H) / 1.41 (W) x 3.39 (H)
CHARACTER SET	95 Alphanumeric, 37 International, 128 x 8 Graphic Traditional / Simplified Chinese, Thai, Japanese, Korean Barcode: UPC-A, UPC-E, Jan 8 (EAN), Jan 13 (EAN), CODE39, CODE93, CODE128, ITF, CODABAR
CHARACTERS PER INCH	20.0cpi / 15.0cpi
INTERFACE*	RS-232, Bi-directional parallel, RS-485, USB, 10 Base-T I/F
DATA BUFFER	4 KB or 45 bytes
PRINT SPEED	150mm / sec. (47lps, 1/8" conversion)
PAPER DIMENSIONS	Roll paper: 79.5 ± 0.5 (W) x dia. (Max.) 83.0mm
PAPER THICKNESS	0.06 to 0.07mm
POWER	24 VDC ± 7%
POWER CONSUMPTION	Approx. 1.8 A (mean)
D.K.D. FUNCTION	2 drivers
RELIABILITY	
MTBF	36 x 10 ⁴ hours
MCBF	52 x 10 ⁶ lines
OVERALL DIMENSIONS	145 (W) x 195 (D) x 148 (H) mm
MASS	Approx. 1.8 kg
EMC STANDARDS	VCCI class A, FCC class A, CE marking, AS / NZS 3548 class B
SAFETY STANDARDS	UL / CSA / TÜV (EN60950)

*Dealer option: RS-485, USB, 10Base-T I/F
Please contact your EPSON representative.



OPTIONS

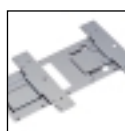
POWER SUPPLY



PS-170
Power Supply Unit



PS-180
Power Supply Unit



WH-10
Wall Hanging Bracket

ESC/POS® Proprietary Command System

EPSON took the initiative by introducing ESC/POS, a proprietary POS printer command system including patented commands and enabling versatile POS system construction with high scalability. Compatible with all types of EPSON POS printers and displays, this proprietary control system also offers the flexibility to easily make future upgrades. Its popularity is worldwide.

OLE POS

Taking the lead worldwide, EPSON offers OXC driver software for application development support in Windows® 95/NT environments.



Conforms to OLE POS specifications.

All features and specifications described are subject to change without notice. EPSON and ESC/POS are registered trademarks of SEIKO EPSON Corporation. Windows and Windows NT are registered trademarks of Microsoft Corporation in the United States and/or other countries. Company and product names are trademarks or registered trademarks of their respective companies.

Specifications are subject to change without notice.

SYDNEY

70 Gibbes Street
Chatswood NSW 2067
Tel: (02) 9903 9000
Fax: (02) 9903 9177

AUCKLAND

245 Hobson Street
Auckland NZ
Tel: (09) 366 6855
Fax: (09) 366 6865

Internet: Australia www.epson.com.au

New Zealand www.epson.co.nz

ABN 91 002 625 783

6/01

EPSON®
RETAIL SOLUTIONS